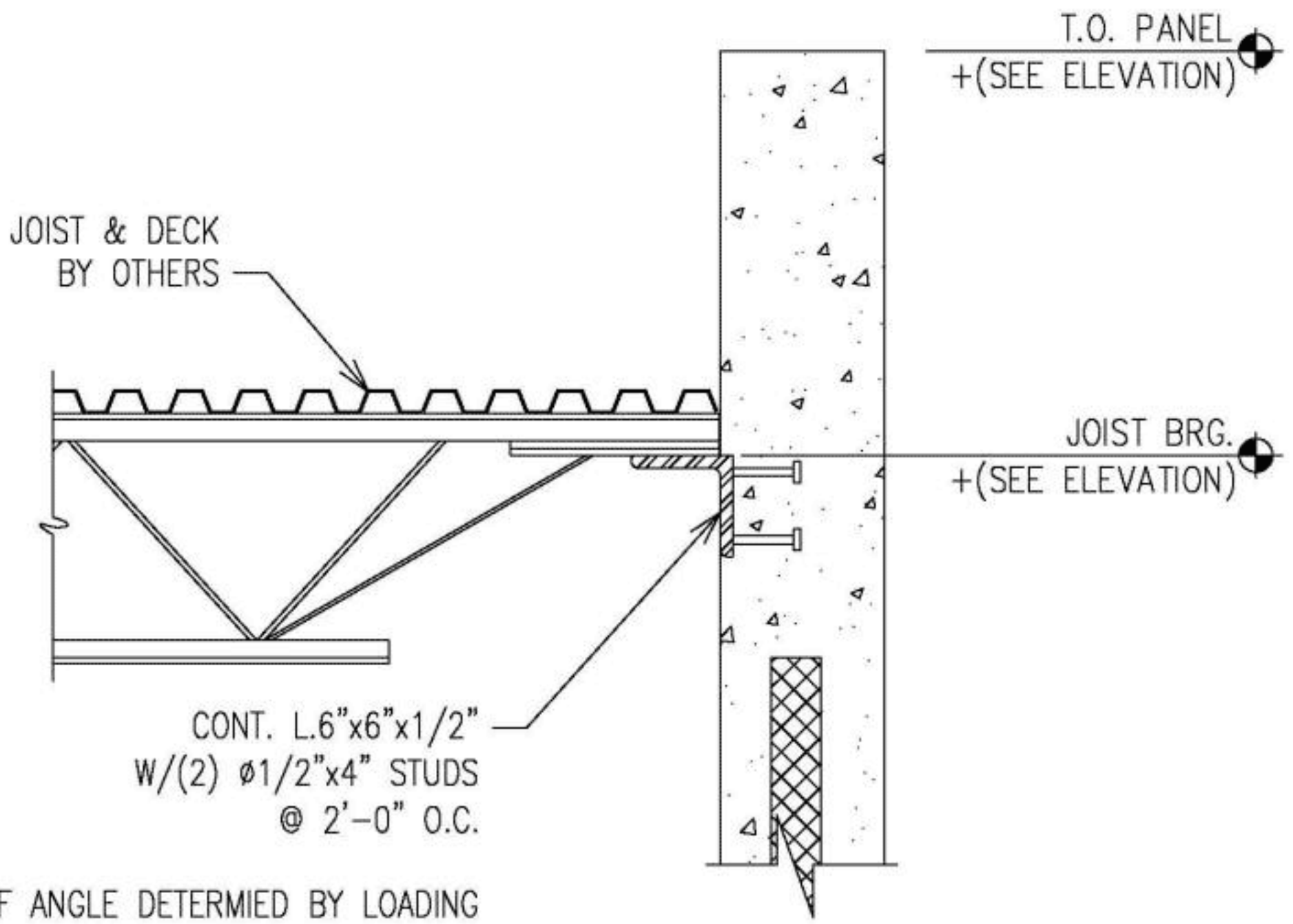


DECK BEARING SECTION

SCALE: 3/4" = 1'-0" 19 3/4" THICK PANEL

**DECK BEARING DETAIL**

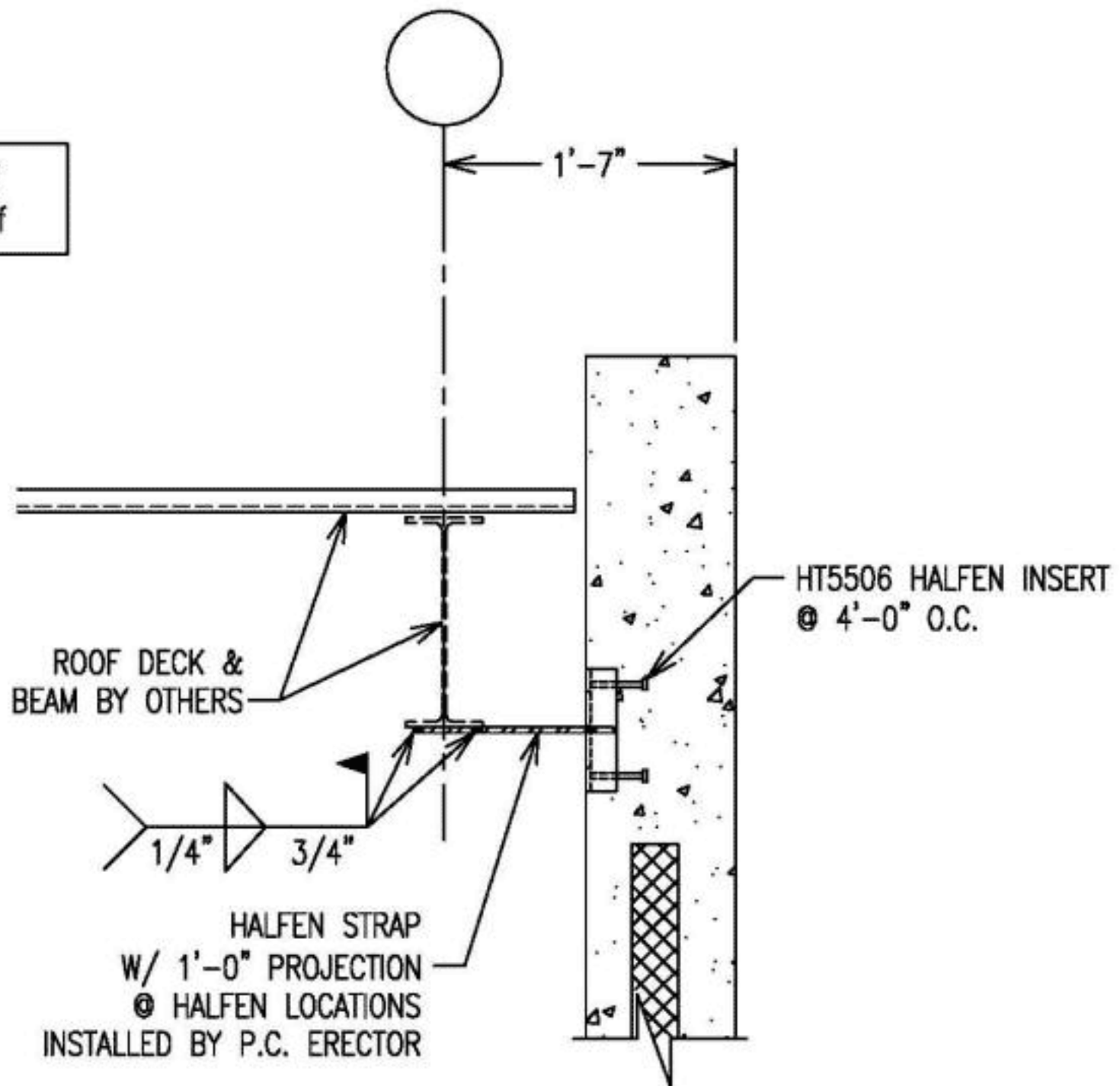


# JOIST BEARING SECTION

SCALE: 3/4" = 1'-0" 19 3/4" THICK PANEL

**JOIST BEARING**

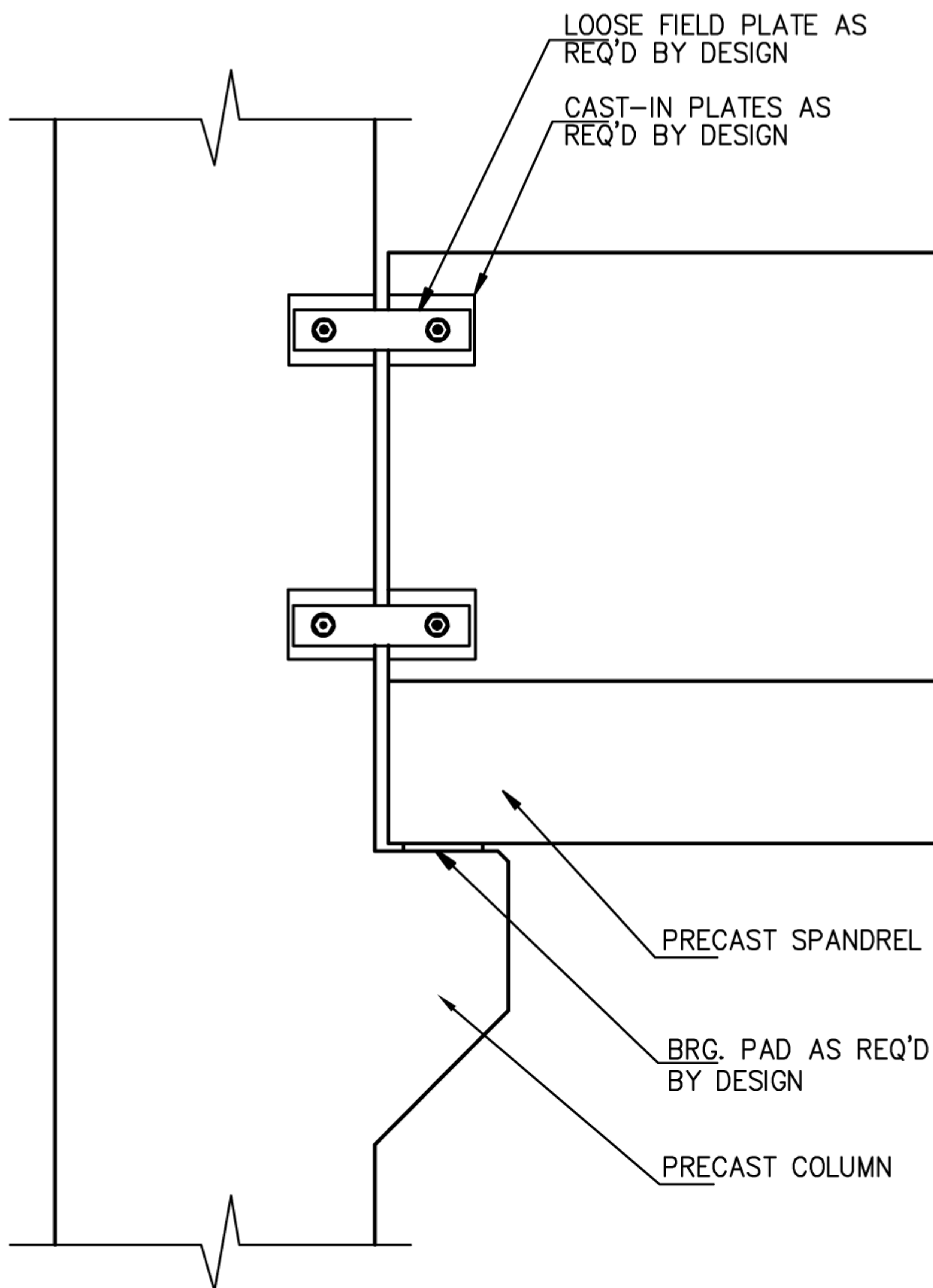
W<sub>ll</sub> = ? plf  
W<sub>⊥</sub> = ? plf



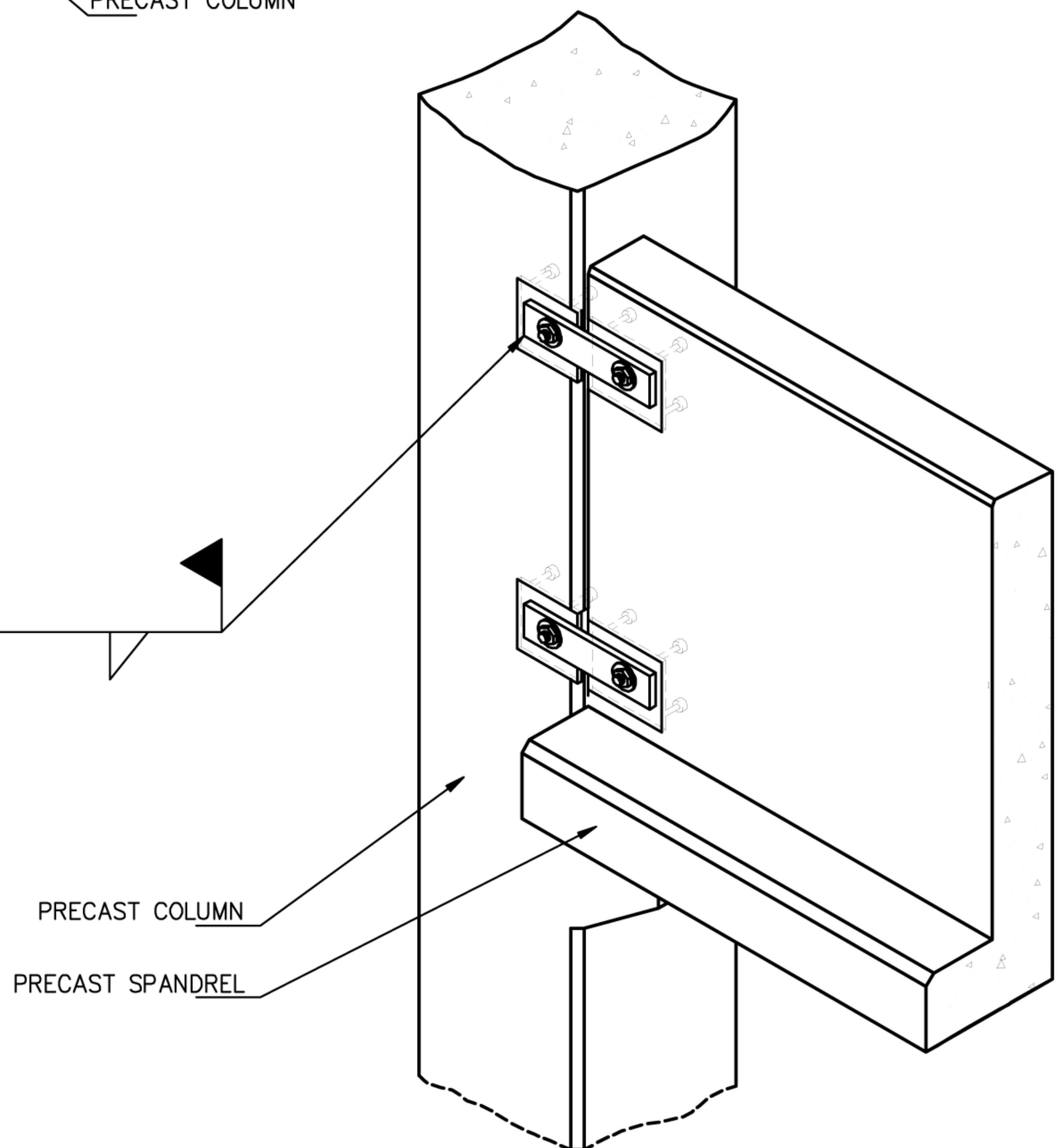
DECK BEARING SLOTTED CONNECTION  
SCALE: 3/4" = 1'-0" | 9 3/4" THICK PANEL

# NON BEARING CONNECTIONS

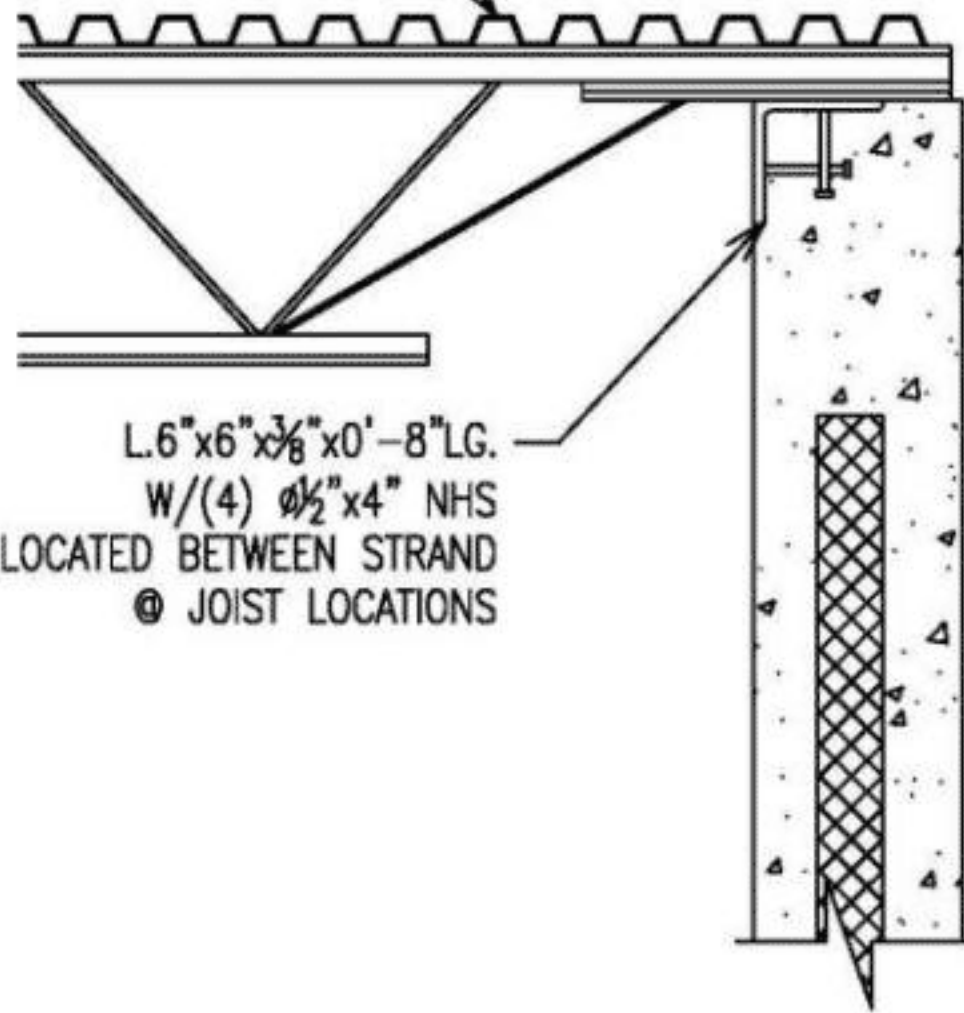
# Spandrel to Column Connection



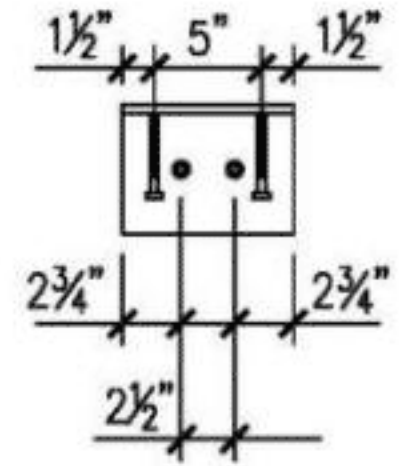
LOOSE PLATE WELDED FOR MOMENT CONNECTION AS REQ'D BY DESIGN



DECK, JOIST &  
CONNECTIONS BY OTHERS



L. 6" x 6" x  $\frac{3}{8}$ " x 0'-8" LG.  
W/(4)  $\frac{1}{2}$ " x 4" NHS  
LOCATED BETWEEN STRAND  
@ JOIST LOCATIONS



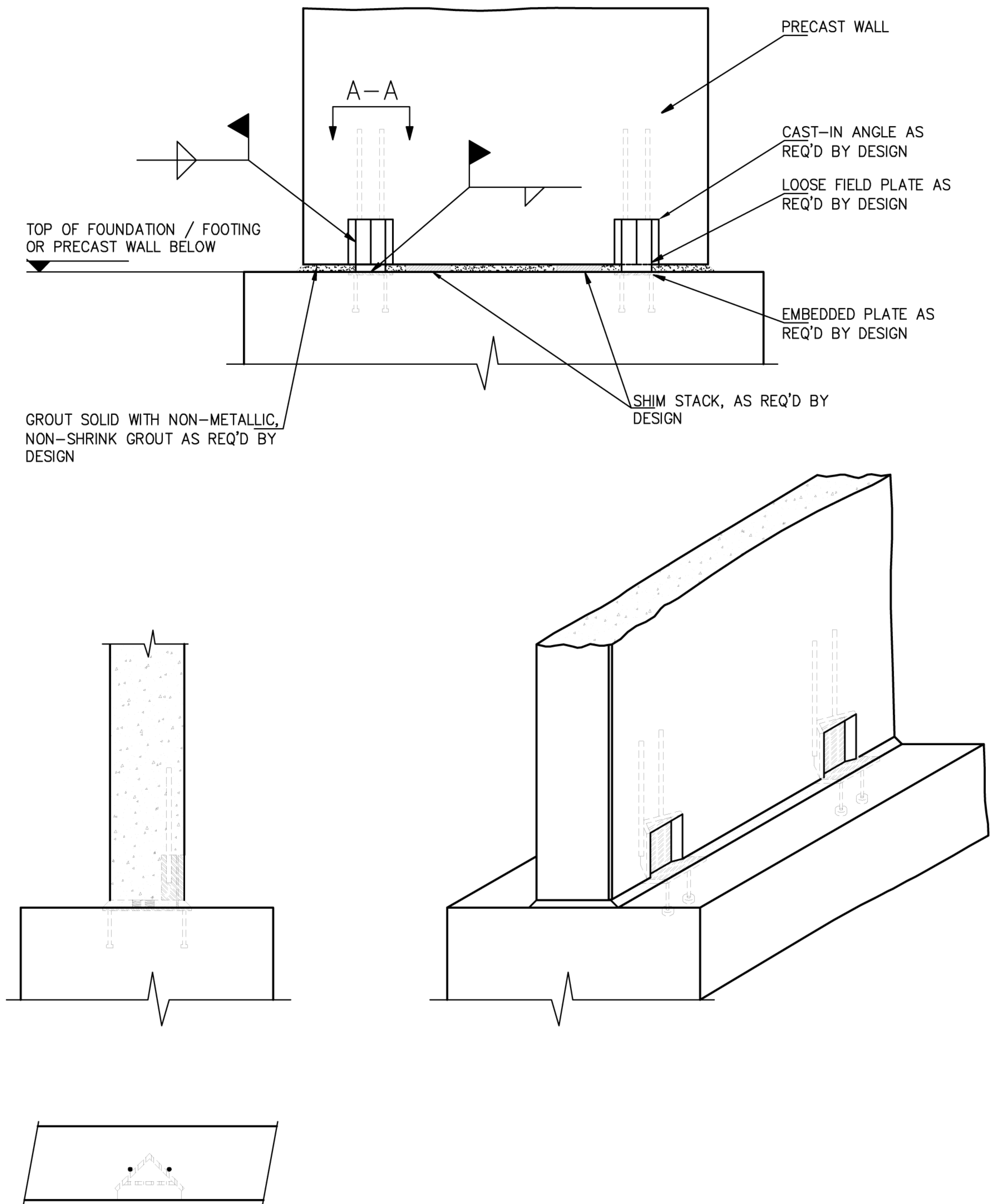
## JOIST BEARING ON PANEL

SCALE:  $\frac{3}{4}$ " = 1'-0" 19  $\frac{3}{4}$ " THICK PANEL

JOIST & DECK

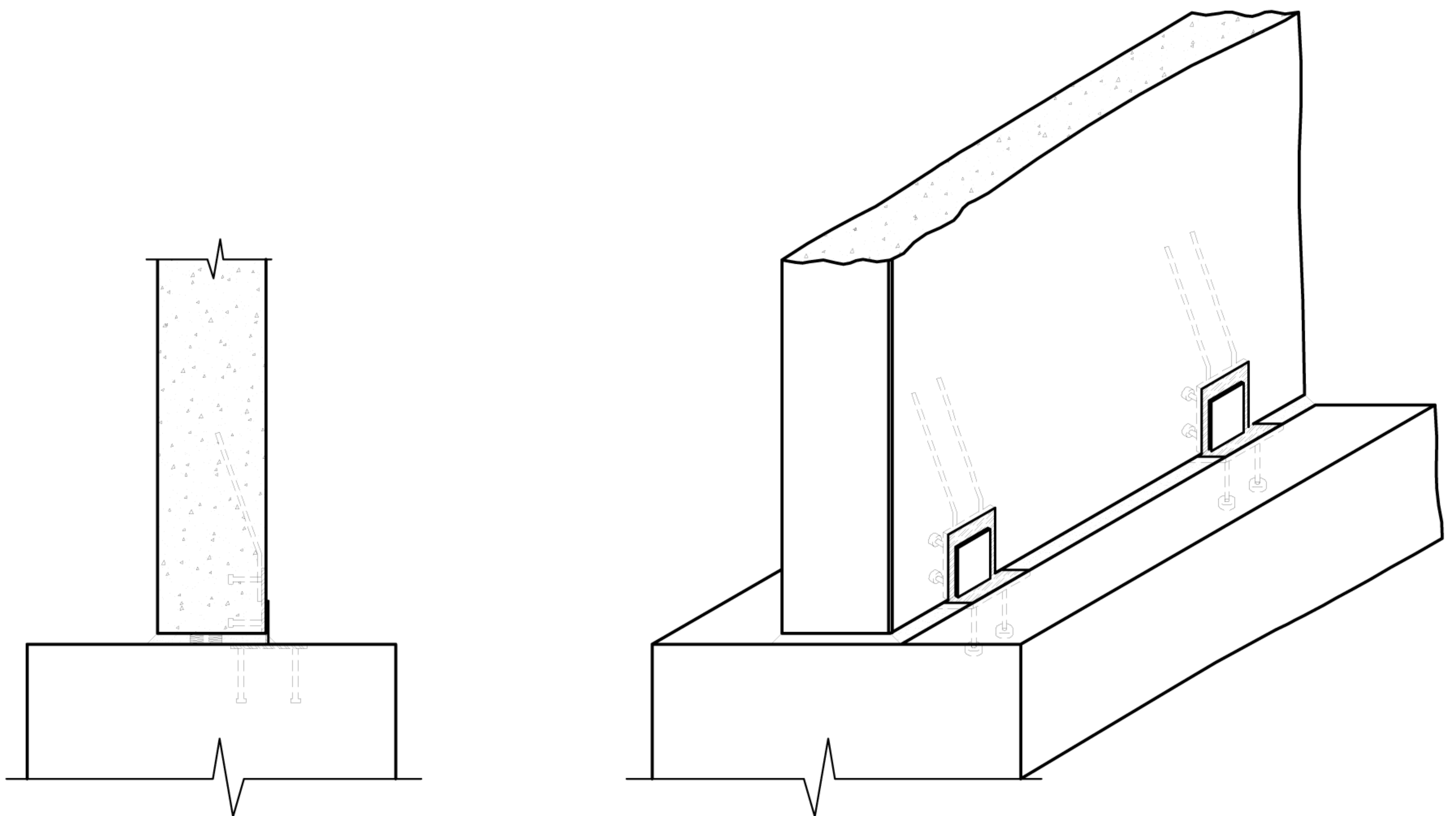
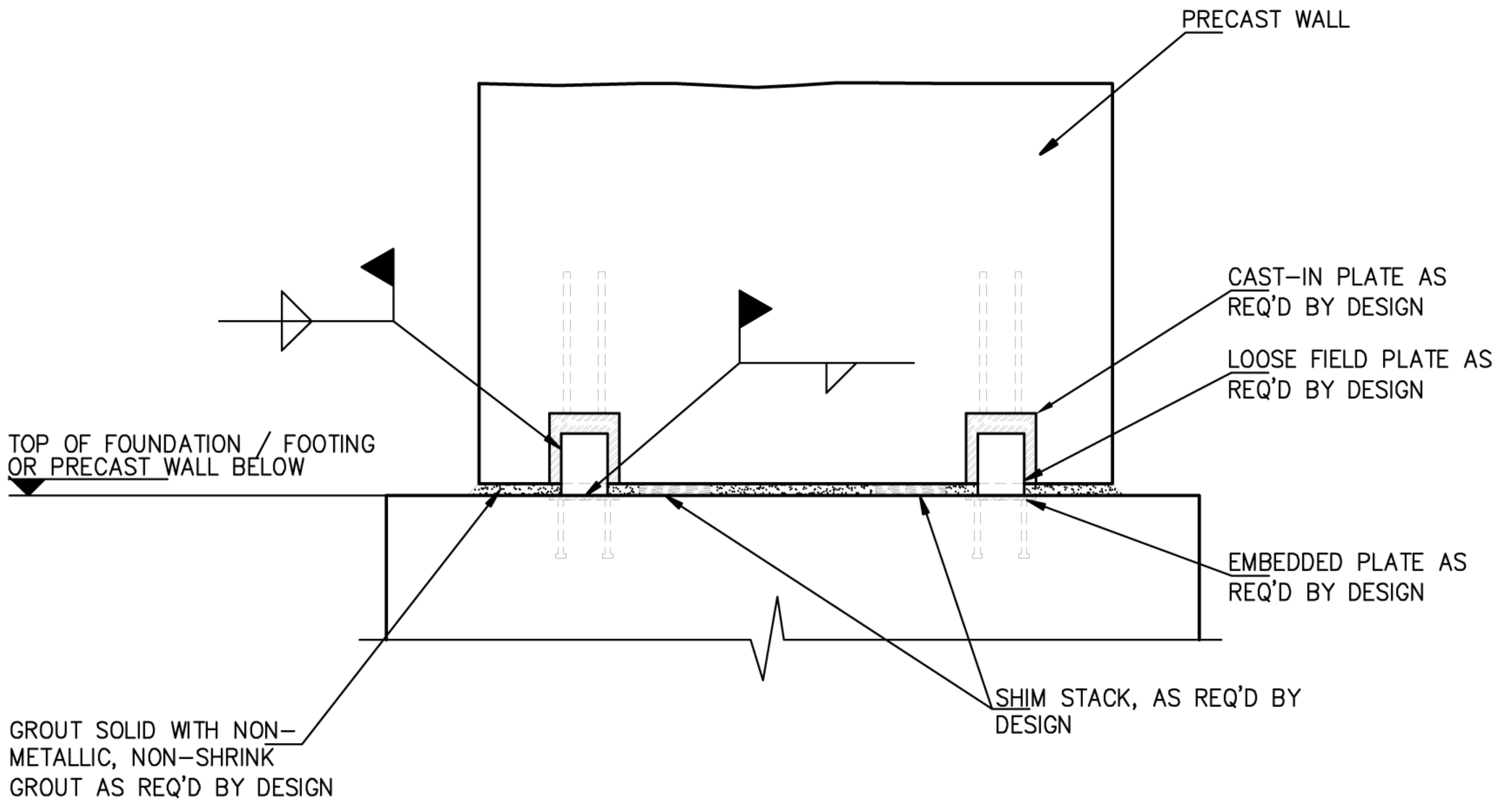
**TOP OF PANEL BEARING**

# Wall to Wall / Foundation / Footing Connection

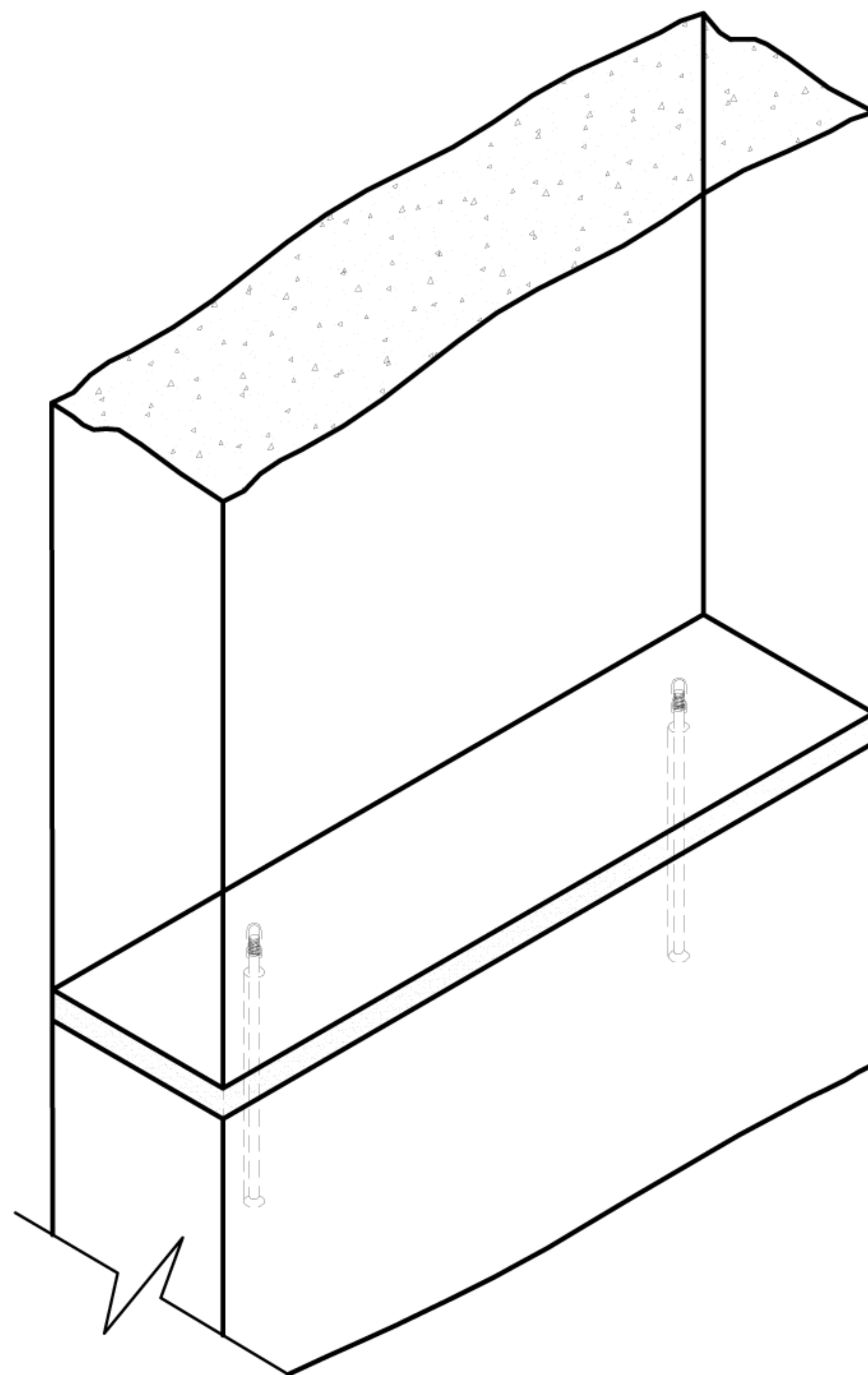
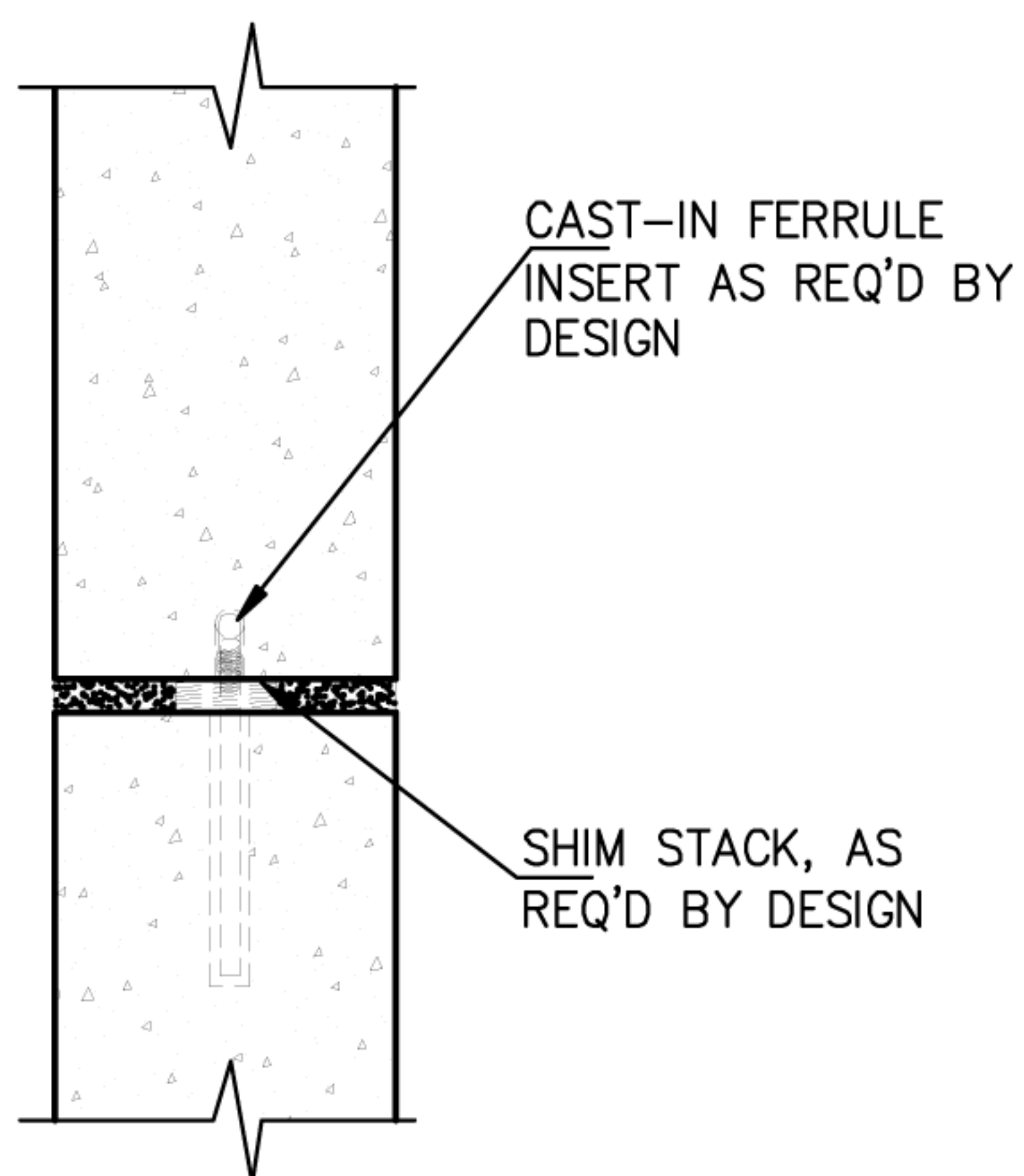
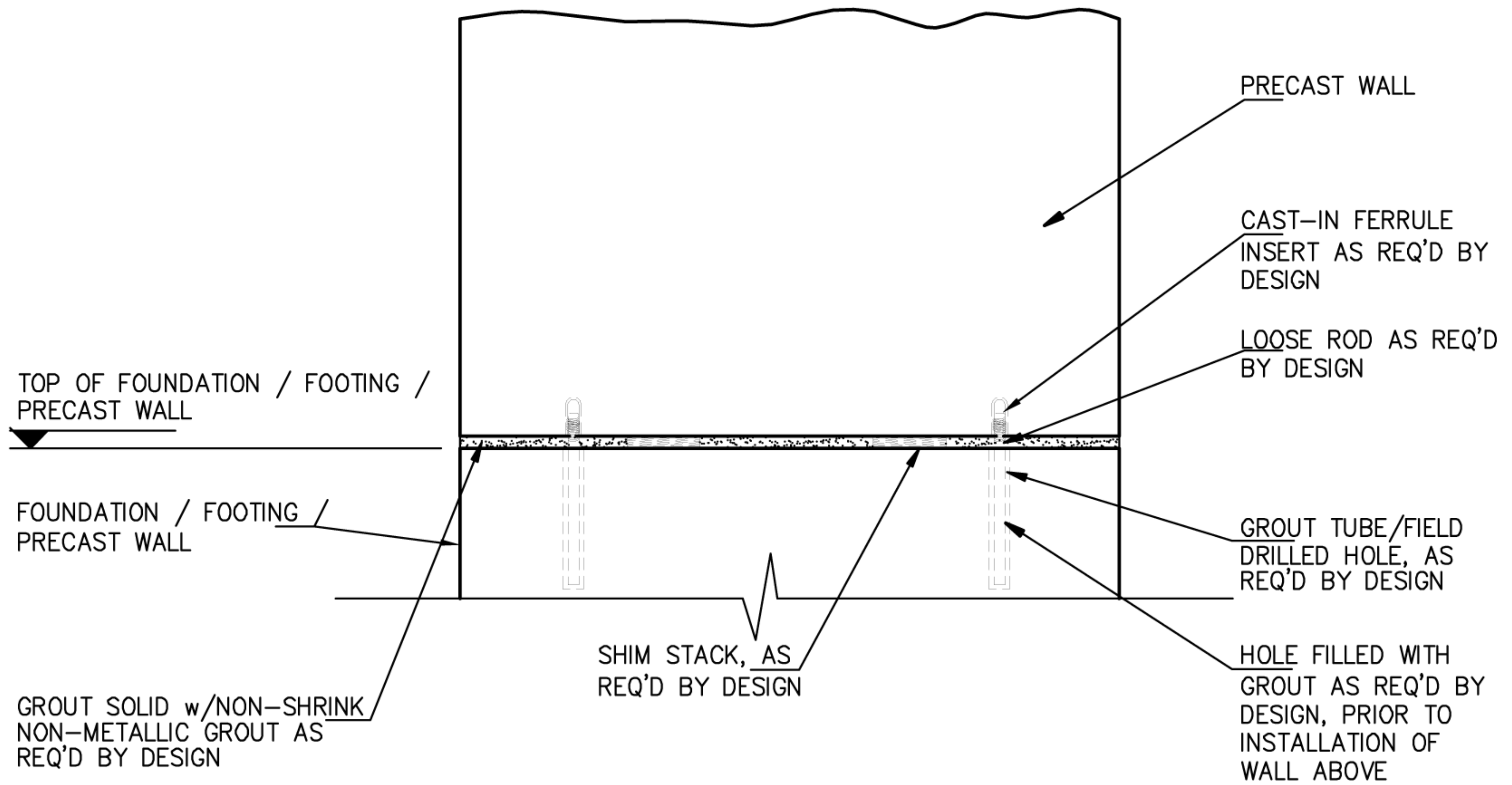


**SECTION: A-A**

# Wall to Wall / Foundation / Footing Connection

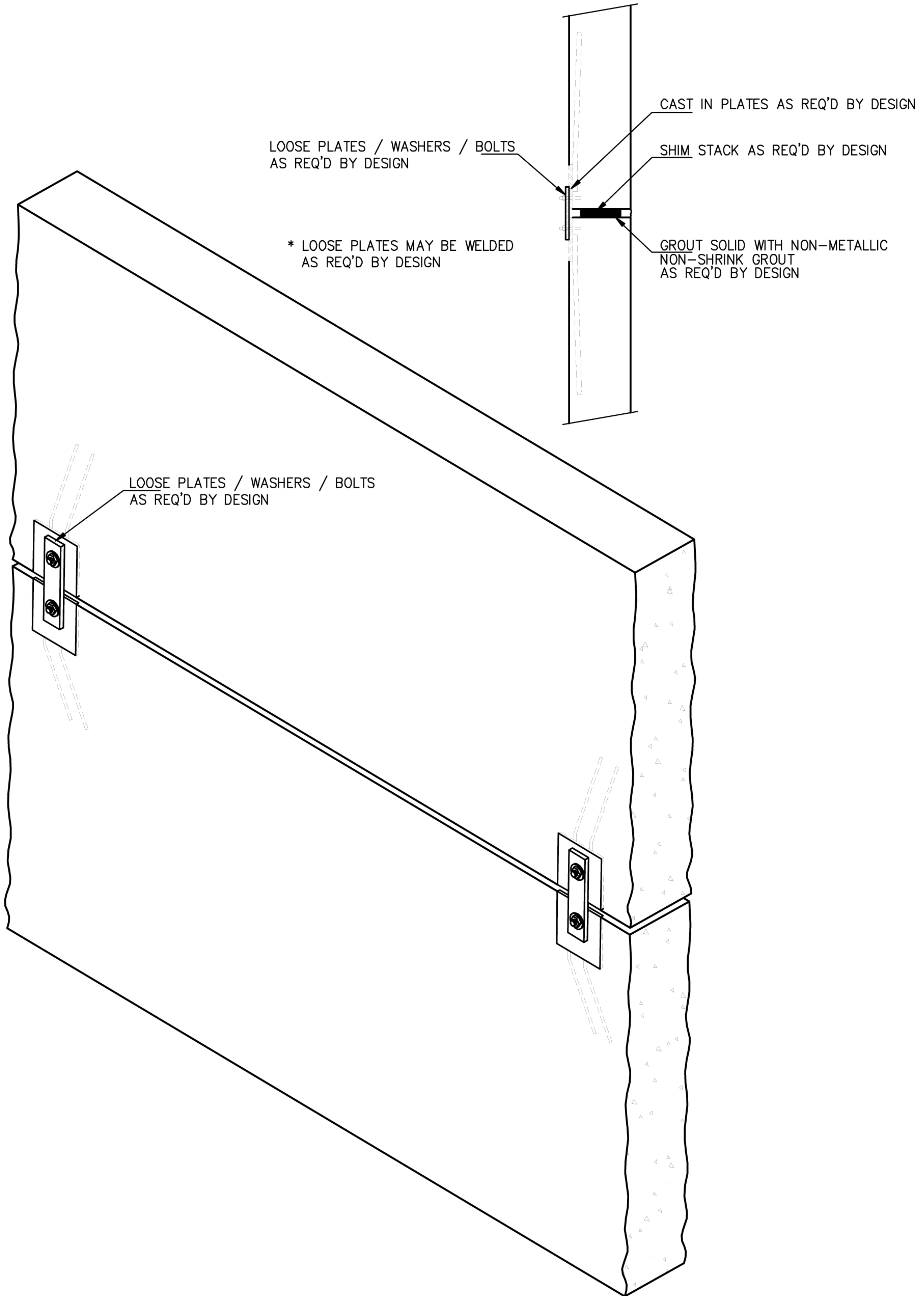


# Wall to Wall Connection

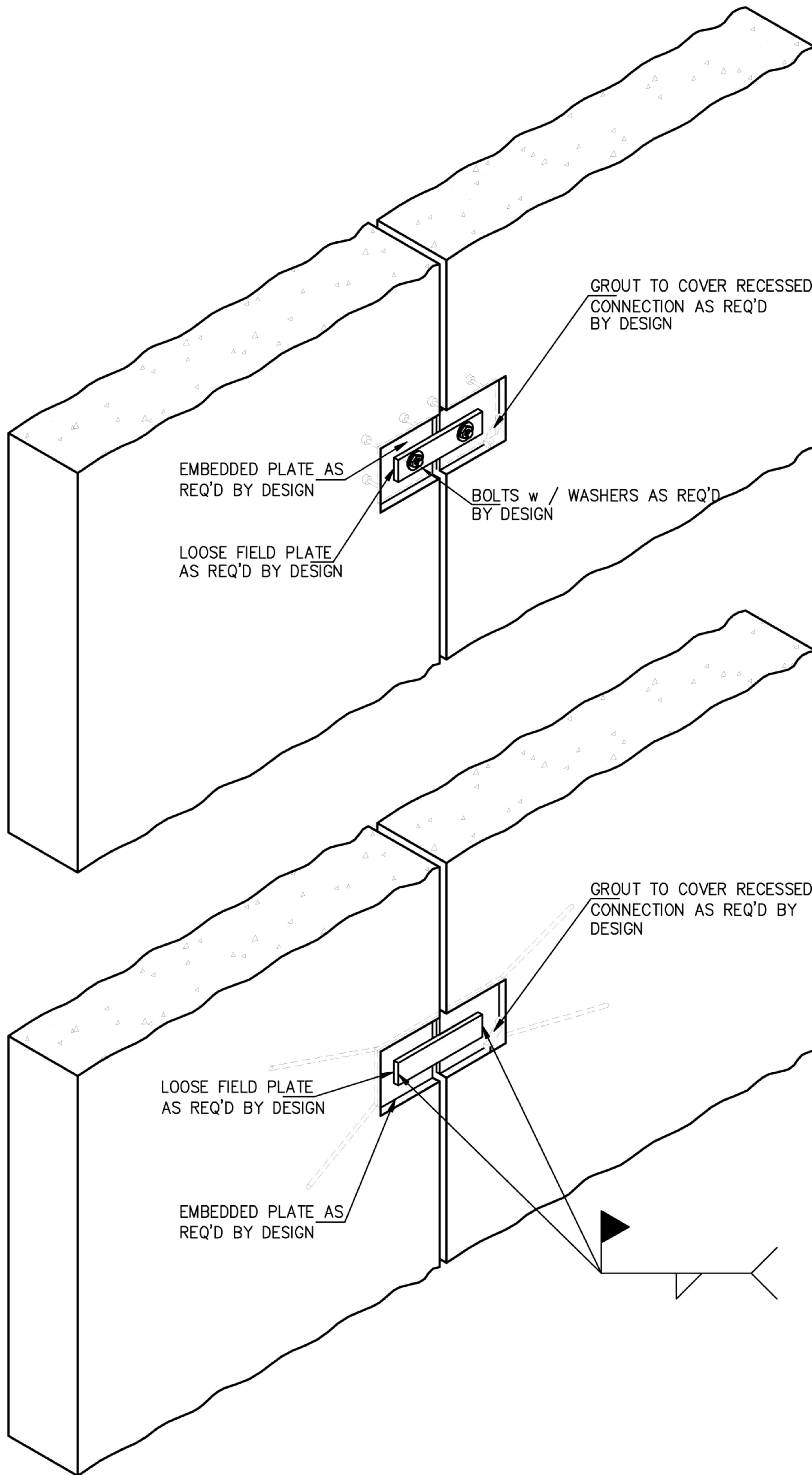




# Wall to Wall Connection (horizontal joint)



# Wall to Wall Connection (vertical joint)

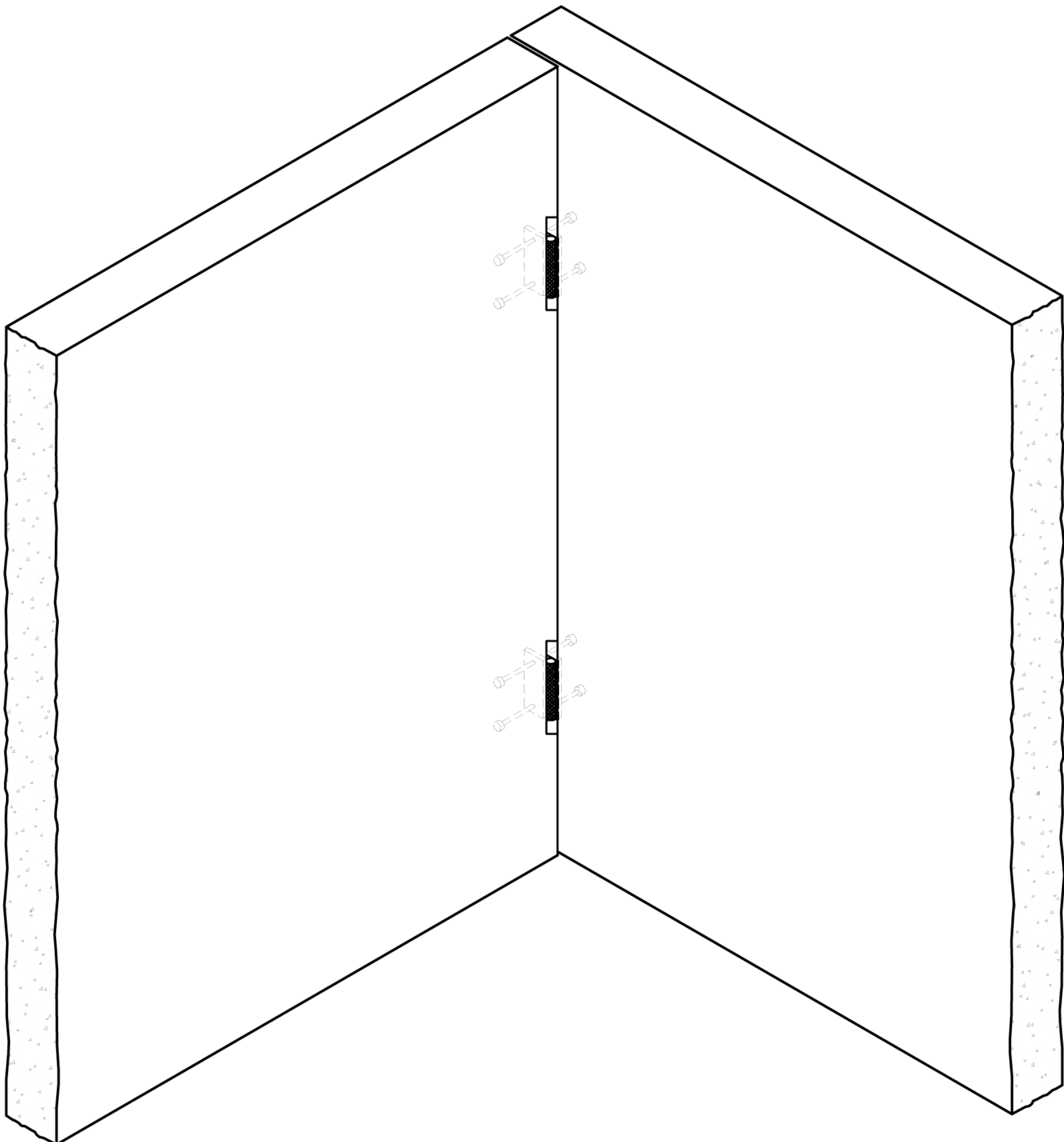


# Wall to Wall Connection (vertical joint)

WELD PLATE CAST IN  
WALL AS REQ'D BY  
DESIGN

WELD LUG

CAULKED JOINT IF REQUIRED  
BY DESIGN, BY OTHERS



# Wall to Wall Connection (vertical joint)

